

# E210 Series Industrial PC



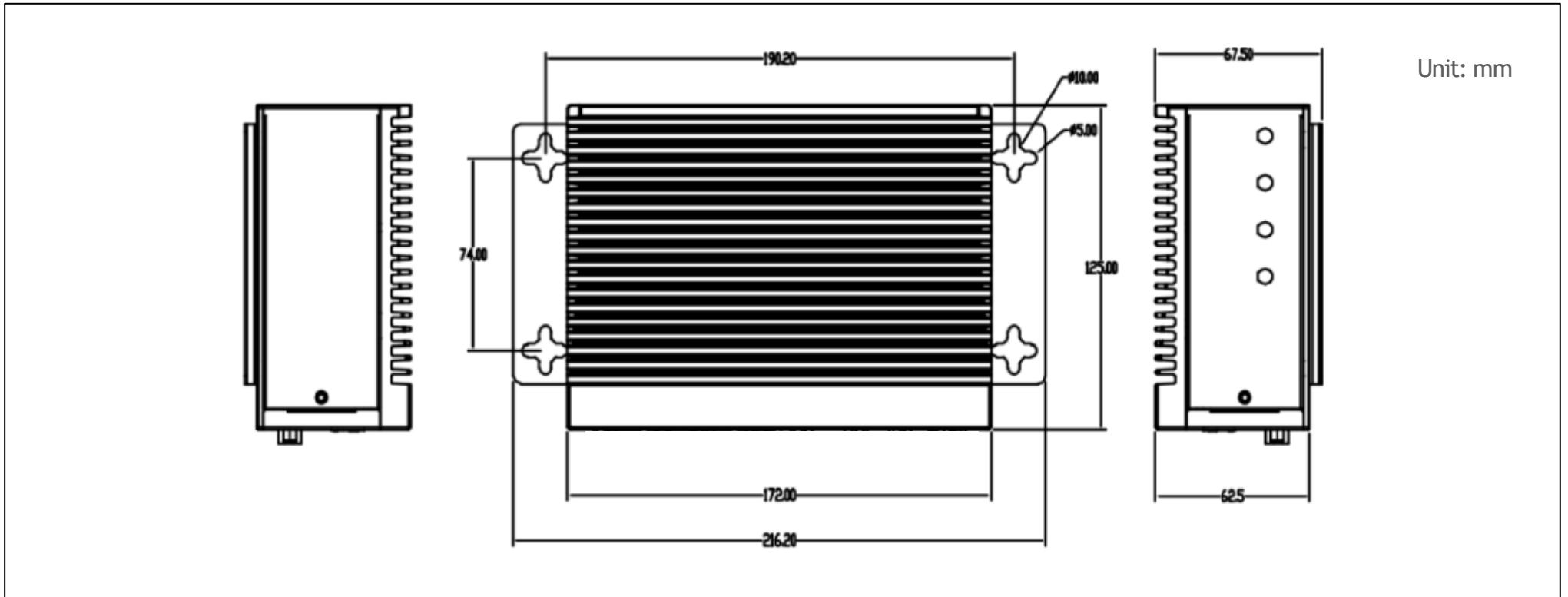
## Features 产品特性

- ✓ Intel® Elkhart platform Pentium、Celeron processors
- ✓ AMI 128 Mbit SPI Flash
- ✓ Max. 32 GB dual channel DDR4-4800MT/s SO-DIMM RAM
- ✓ 1\* DP1.4a, 1\* HDMI 1.4
- ✓ 2\* Intel i210-AT, 1\* Intel i226-V GbE LAN (2 PoE are optional)
- ✓ 2\* CAN, 16\*DI, 16\*DO, 2\*Encoder
- ✓ 1 x RS-232/422/485, 1 x RS-232, 4x RS-485
- ✓ Support Windows 10 64bit, Linux system

## Specifications 规格信息

Item	Sub-Items	Descriptions
<b>Processor System</b>	CPU	Intel® Pentium® J6426, N6415, Celeron® J6412, J6413, N6210, N6211
	Chipset	Intel® SoC integrated
	BIOS	AMI 128Mbit SPI Flash
<b>Memory</b>	Technology	Dual Channel DDR4 4800MT/s SO-DIMM
	Max. Capacity	32 GB
<b>Display</b>	Controller	Intel Gen11 Graphics Engines (SoC integrated)
	Graphic Features	DX12, OGL4.5, OCL1.2, Vulkan 1.1, MPEG2, H.264, JPEG/MJPEG, H.265 (HEVC)
<b>Ethernet</b>	Controller	1x Intel I226-V, 2 x Intel I210-AT support external PoE power supply
<b>External I/O</b>	Ethernet	3
	DP	1 x DP1.4a up to 4096x2304x36bpp@60Hz, or 5120x3200x24bpp@60Hz
	HDMI	1 x HDMI 1.4, up to 4096 x 2160 x 24bpp@30Hz
	USB2.0	2
	USB3.0	2
	Power DC Jack	Phoenix 4pin
	Serial Port	1 x RS-232/422/485, 1 x RS-232, 4x RS-485
	CAN	2 x CANBus 2.0 A/B
<b>Expansion</b>	DIO	16 x DI(8 200K Pulse), 16 x DO(8 200K Pulse)
	M.2 E-Key	1 x M.2 2230 Support Wi-Fi PCIe
	M.2 B-Key	1 x M.2 3052 Support 4G/5G
	M.2 M-Key	1 x M.2 2280 Sata3.0
	SATA	1x SATA3.0 7PIN
	Internal USB2.0	3x Internal USB2.0
	SIM	1xNano SIM
<b>LED</b>	LED Lights	Power、sata、user1、user2
	Supply Voltage	DC 9-36V ± 10%
<b>Power</b>	Max. Consumption	60W
	Power Management	AT/ATX
	Test Environment	Intel J6412 DDR4 32G
<b>Feature</b>	Watch Dog	Timer Output System reset, Programmable counter from 1 ~ 255 minutes/ seconds
	TPM	2.0
<b>Environment</b>	Operational	0 ~ 60 °C, Extend -40°~85 °C
	Storage Temperature	-40° C ~ 85° C and 60° C @ 95% RH Non-Condensing
	Relative Humidity	10 ~ 95% @ 40 °C (non-condensing)
<b>Certification</b>	EMC	CE, FCC
<b>Physical Characteristics</b>	Dimensions	172 x 125 x 62.5mm(LXW)
	Weight	0.149kgs
<b>OS Support</b>	OS Support	Windows 10 IOT LTSC, Linux

## Dimensions 尺寸



## Interface 接口

