

E550A Series Industrial PC

Features 产品特性

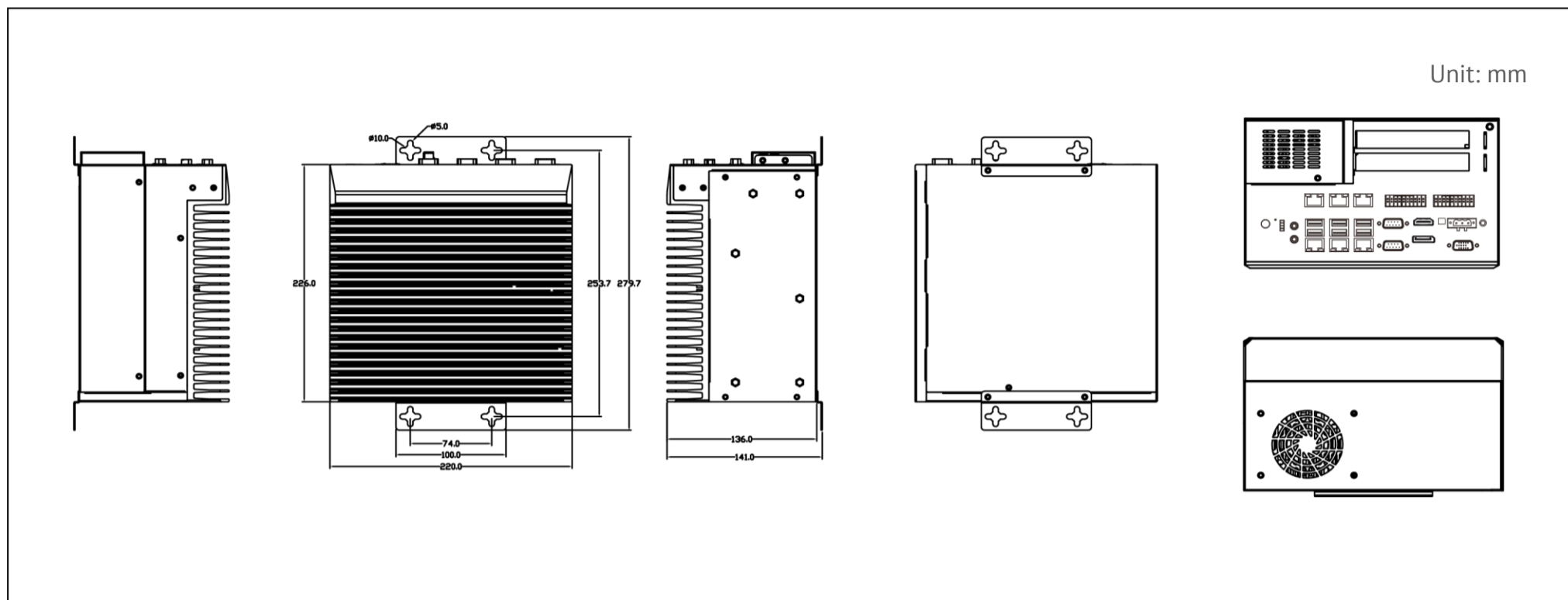
- Intel® 10th Generation Processors with LGA1200
- 1 x DP, 1 x HDMI, 1 x VGA
- 2 x DDR4 SO-DIMM sockets support up to 64 GB memory
- 1 x PCIe Gen3 x16 slot, 1 x PCIe Gen2 x2/PCI slot
- 6 x Gigabit LAN (5 x Intel i210-AT, 1 x Intel i219-LM)
- 6 x USB ports and 1 x internal USB 2.0 Type-A connector
- 16 DI, 16DO
- 1 x RS485/232, 1 x RS232
- Compact and Rugged design



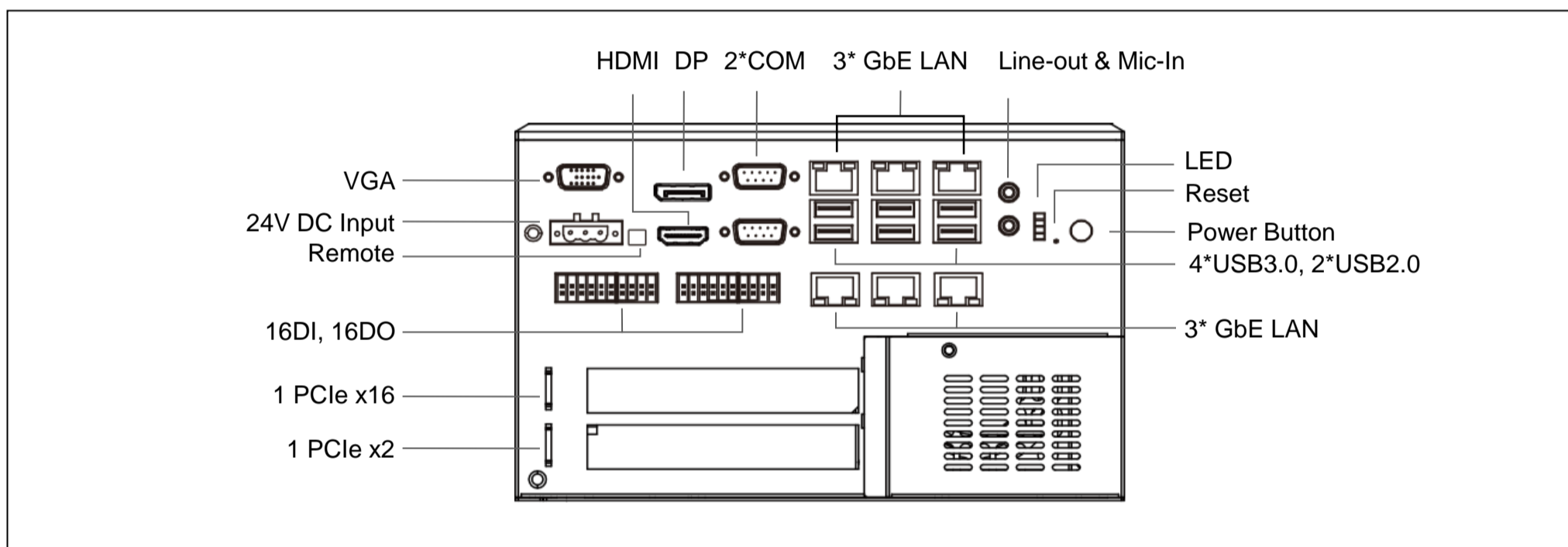
Specifications 规格信息

Specs	Item	E550A Series
Processor System	CPU	Intel® 10th Generation Processors with LGA 1200: i7-10700E, i5-10500E, i3-10100E, etc
	Chipset	H420E
	BIOS	AMI 128Mbit SPI Flash
Memory	Sockets	Dual Channel 260-PIN DDR4 SO-DIMM
	Capacity	Max. 64GB
Display	DP	1 x DP1.2 up to 4096x2304@60Hz
	HDMI	1 x HDMI1.4 up to 4096 x 2160@30 Hz
	VGA	1 x VGA, Max. 1920 x 1080 @60Hz
Audio	Controller	Realtek ALC662, High Definition Audio. Line-out, Mic-in
Ethernet	LAN	5 x Intel® i210-AT GbE, 1 x Intel® i219-LM GbE
Peripheral Interface	USB	2xUSB2.0, 4xUSB3.0
	COM	1 x RS-232/422/485, 1 x RS-232
	Digital Input	16 x DI
	Digital Output	16 x DO
	Remote	1
	LED	4x LED(SATA/Stand by/Memory/Watchdog)
	Reset	1x reset button
	Power Button	1 x power button
Storage	SATA3.0	1 x SATA3.0 for 2.5 inches storages
	m.2	1 x M.2 2280 M-Key SATA3.0
Expansion	M.2 E-Key	1 x M.2 2230 E-Key
	M.2 B-Key	1 x M.2 3052 B/M-Key
	SIM	1 x Micro SIM
	PCIe and PCI	1 x PCIe 3.0 x16 slot, 1 x PCIe 2.0 x2/PCI slot
Others	Watchdog	65536 lever, 0~65535 sec
	TPM	1 x SPI (Optional)
Power Supply	DCInput	24V DC
OS	MicrosoftWindows	Windows 10 64bit,
	Linux	Yes
Physical Characteristics	Construction	Aluminium Alloy
	Mounting	Desktop/Wall- Mounting
	Dimensions	220 x 226 x 136mm(LxWxH)
	Weight	4.0 Kg
Environment	Operating Temperature	0°C~60°C, Airflow 0.7m / s
	Non-Operating Temperature	-20°C~60°C
	Storage Temperature	-40°C~85°C
	Relative Humidity	10 ~ 95%@40°C(Non-Condensing)
	Vibration During Operation	With SSD:3Grms, IEC 60068-2-64, random vibration, 5~500 Hz, 1hr/axis
	Shock During Operation	With SSD:30 G, IEC 60068-2-27, half sine, 11m duration
	LATENCY_MAX or CYCLICTEST_MAX	20us(24 hr RTPM. stress)
	ESD	Contact +/-4 KV, Air +/-8 KV
	EMC	CE/FCC Class B
Regulatory	62368	

Dimensions 尺寸



Interface 接口



Ordering Information 订购信息

Model	CPU	Memory	GbE	DIO	USB3.0	USB2.0	RS-232	RS-485	Audio	Expansion	m.2	SATA 3.0	VGA	DP	HDMI	DC-Input
E550A	Optional	Optional	6	16DI, 16DO	4	2	1	1	2	1 mini-PCIe 1 PCIe x16 1 PCIe x2/PCI	1	1	1	1	1	24V DC-IN