

## X120 Series All-in-one IPC



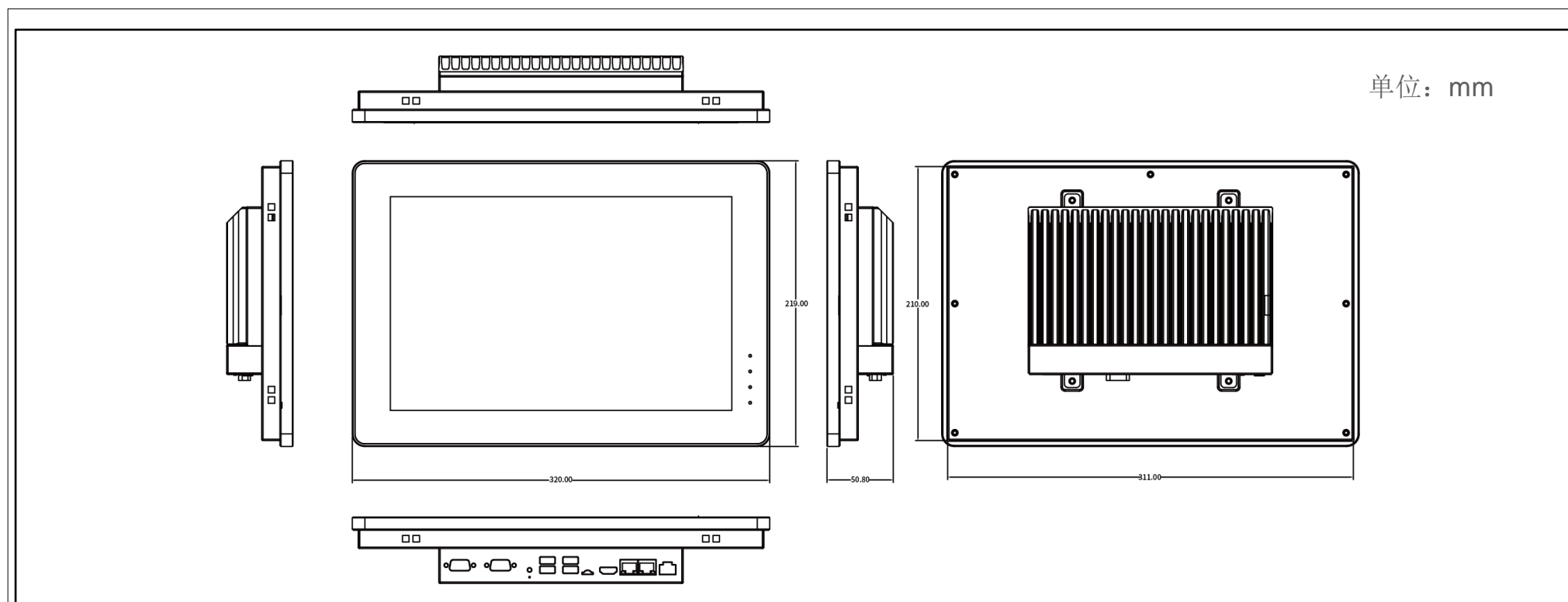
### Features 产品特性

- Intel® Apollo Lake platform SoC processor
- 12.1 inches industrial-grade TFT LCD screen
- Support 10-points capacitive touch
- 1 x HDMI
- 2 x Intel i226-V GbE LAN
- 3 x USB 3.0, 1 x USB 2.0
- 1 x RS-232, 1 x RS-232/422/485
- Support Watchdog and TPM2.0
- IP65 protection level for front panel

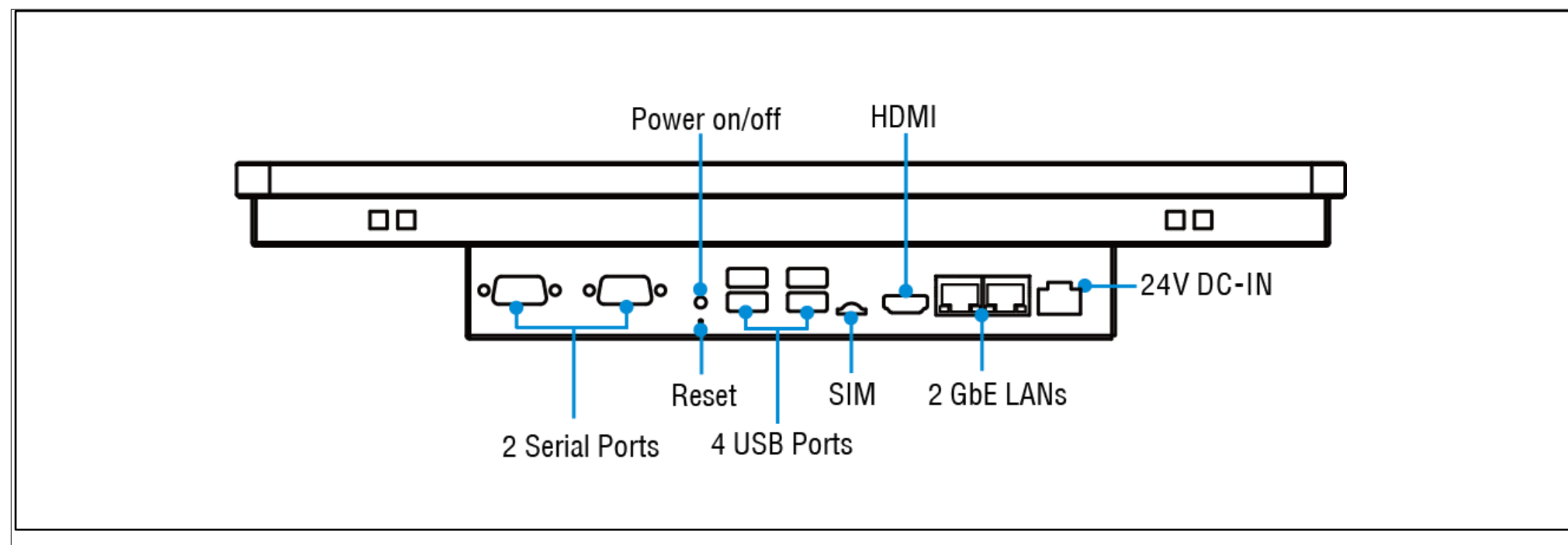
### Specifications 规格信息

Item	Specs	Description
Processor System	CPU	Intel Apollo Lake Celeron/Pentium CPU (N3350/J3355/J3455/J4205/N4200)
	TDP	10 W MAX
	BIOS	AMI UEFI BIOS at 64 Mb
Memory	Technology	LPDDR4
	Max. Capacity	8 GB
Graphics	Controller	Intel Gen9 Graphic Engine
	Graphic Features	DirectX 12.0, OpenGL 4.3, OpenCL 2.0, HW Decode: H.264, MPEG2, VC-1, WMV9, H.265/HEVC, VP8, JPEG/MJPEG
Screen	Size	12.1" TFT LCD
	Resolution	1280(H) x 800(V)
	Aspect Ratio	16:9
	Backlight	LED
	Backlight Life	50,000Hrs
	Touch type	10-points capacitive multi-touch
External I/O	USB 3.0	3
	USB 2.0	1
	HDMI	1
	SIM	1x Nano SIM
	Serial Port	1 x RS-232/422/485, 1x RS-232
	Ethernet	2x Intel i226-V GbE LAN
Expansion	M.2 E-Key	1x M.2 E-Key 2242 Support Wi-Fi
	M.2 B-Key	1x M.2 B-Key 3052 Support 4G/5G USB3.0
	M.2 M-Key	1x M.2 B/M-Key 2280 Sata3.0
Board Feature	Watchdog Timer	65536 lever, 0-65535 sec
	TPM	TPM 2.0
Power Requirement	Supply Voltage	DC 24V ± 5%
	Power Management	AT/ATX
	Max. Consumption	35W
	Test Environment	Intel J4205 4G
OS	OS Support	Windows 10, Linux
Environment	Temperature	Operating 0 ~ 60 °C, Extend -40°~85°C
		Non-Operating -40 ~ 85 °C (-40 ~ 185 °F)
	Humidity	Operating 40 °C @ 95% RH Non-condensing
		Non-Operating 60 °C @ 95% RH Non-condensing
Physical Characteristics	Dimensions (L x H)	320 x 219 x 50.8 mm (LxWxH)

## Dimensions 尺寸



## Interface 接口



## Ordering Information 订购信息

Part Number	CPU	LCD	Mem	GbE	USB 3.0	USB2.0	Serial Port	HDMI	SIM	m.2	SATA 3.0	DC-Input
X120-N2000	N3350	12.1"	4GB	2	3	1	2	1	1	3	1	24V
X120-J2000	J3355	12.1"	4GB	2	3	1	2	1	1	3	1	24V
X120-J3000	J3455	12.1"	4GB	2	3	1	2	1	1	3	1	24V
X120-N4000	N4200	12.1"	4GB	2	3	1	2	1	1	3	1	24V
X120-J4000	J4205	12.1"	4GB	2	3	1	2	1	1	3	1	24V