

# E211 Series Industrial PC



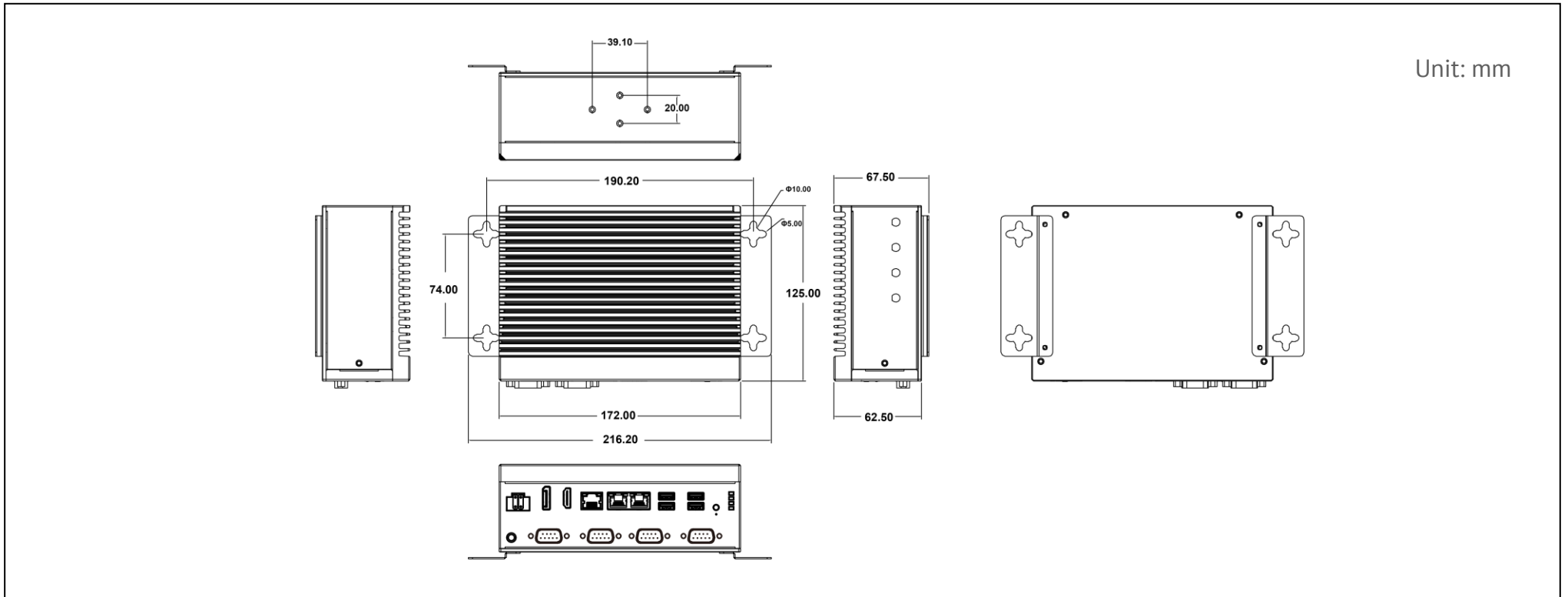
## Features

- Intel® Elkhart Lake platform J6412/N6210/X6425E
- Dual channel DDR4-3200 up to 32GB
- 2 independent display via DP and HDMI
- 3 LAN (2 x Intel i210-AT, 1 x Intel i226-V)
- 1 RS-232/422/485, 1 RS-232, 2 RS-232/485
- 2 USB 3.0, 2 USB 2.0
- Support UPS, 4G or 5G, Wi-Fi expansion
- DC 9-36V
- Dimensions: 172 x 125 x 62.5mm (L x W x H)
- CE/FCC Class B, ESD 8KV/15KV
- Windows 10/11, centos 8, ubuntu 20.04/22.04

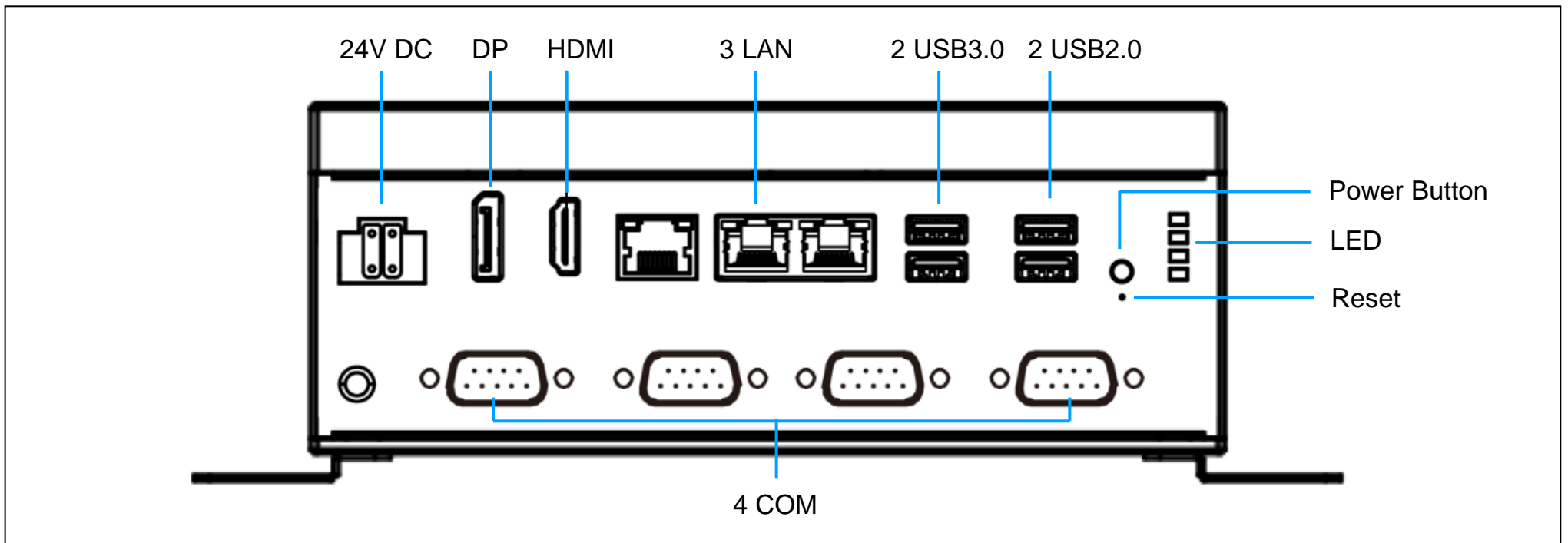
## Specifications

Item	Sub-Items	Descriptions
<b>Processor System</b>	CPU	Intel® Elkhart Lake platform J6412/N6210/X6425E CPU
	TDP	12W MAX
	BIOS	AMI 128Mbit SPI Flash
<b>Memory</b>	Technology	2 x DDR4 3200MT/s SO-DIMM
	Max. Capacity	32 GB
<b>Display</b>	Controller	Intel Gen11 Graphics Engines (SoC integrated)
	Graphic Features	DX12, OGL4.5, OCL1.2, Vulkan 1.1, MPEG2, H.264, JPEG/MJPEG, H.265 (HEVC)
<b>External IO</b>	DP	1 x DP1.4 up to 4096 x 2160@60Hz
	HDMI	1 x HDMI 2.0b, up to 4096 x 2160@60Hz
	Ethernet	2 x Intel i210-AT GbE LAN, 1 x Intel i226-V 2.5GbE LAN
	COM	COM1: RS-232/422/485, COM2: RS-232, COM3~4: RS-232/485
	USB	2 x USB2.0, 2 x USB3.0
	Power DC Jack	Phoenix 4pin
<b>Expansion</b>	M.2 E-Key	1 x M.2 2230 Support Wi-Fi
	M.2 B-Key	1 x M.2 3052 Support 4G/5G
	M.2 M-Key	1 x M.2 2280 Sata3.0
	SATA	1 x SATA3.0
	Internal USB2.0	3 x Internal USB2.0 (Pin out), 1 x Internal USB Type-A
	SIM	1 x Nano SIM
<b>LED</b>	LED Lights	Power status, HDD R/W, USER1, USER2
<b>Power</b>	Supply Voltage	DC 9-36V ± 10%
	Max. Consumption	30W
	Power Management	AT/ATX
<b>Others</b>	Watch Dog	Timer Output System reset, Programmable counter from 1 ~ 255 minutes/ seconds
	TPM	TPM 2.0 (optional)
<b>Environment</b>	Operational Temperature	0 ~ 60 °C (32~140°F)
	Storage Temperature	-40° C ~ 85° C (-40~185°F)
	Relative Humidity (Operating)	95% @ 40 °C (non-condensing)
	Relative Humidity (Storage)	95% @ 60 °C (non-condensing)
<b>Physical Characteristics</b>	Dimensions	172 x 125 x 62.5mm (L x W x H)
	Installation	Wall-mounting/Din Rail
<b>Certification</b>	EMC	CE, FCC
<b>OS Support</b>	OS Support	Windows 10/11, centos 8, ubuntu 20.04/22.04

## Dimensions



## Interface



## Order Information

Part Number	CPU	TDP	Max. Frequency	Core	Thread	LAN	USB 3.0	USB 2.0	COM	UPS	4G/5G	Wi-Fi
E211-01	Celeron-J6412	6.5W	2.60 GHz	4	4	3	2	2	4	Optional	Optional	Optional
E211-02	Celeron-N6210	6.5W	3.00 GHz	2	2	3	2	2	4	Optional	Optional	Optional
E211-03	X6425E	12W	3.00 GHz	4	4	3	2	2	4	Optional	Optional	Optional