

E320 Series

Intel Apollo Lake SoC Fanless Box PC with 5 LAN



Features

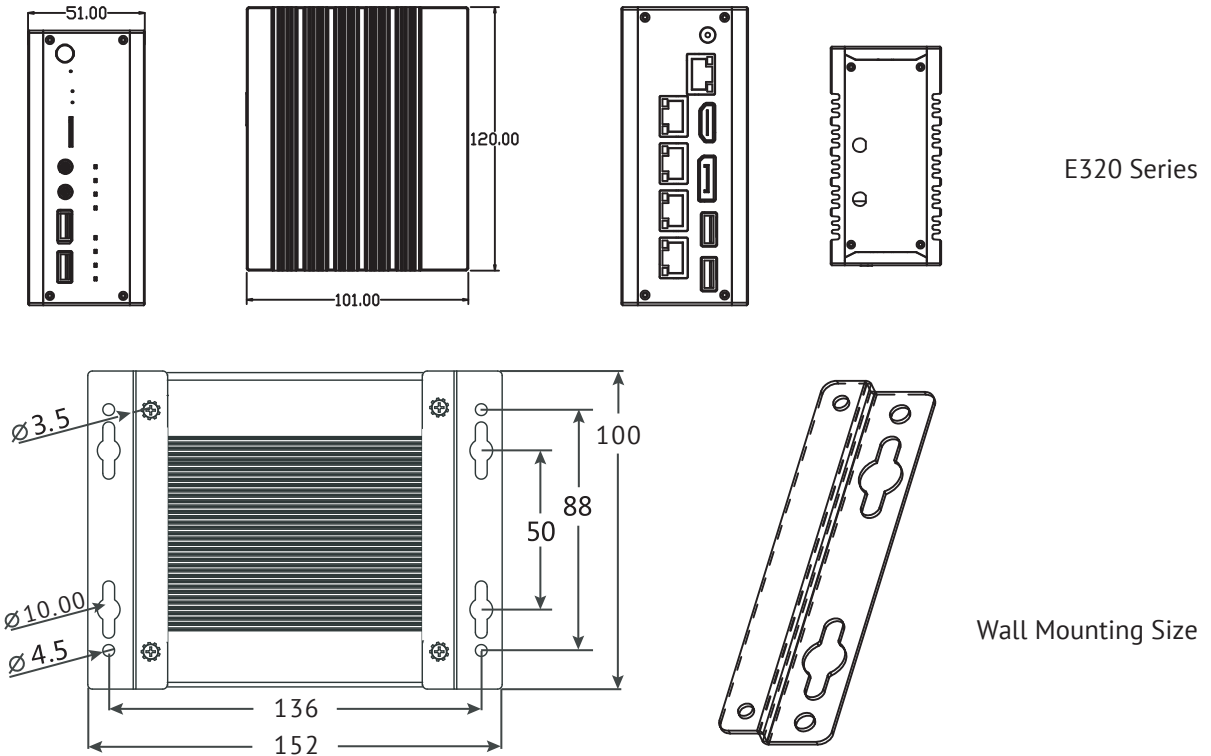
- Intel® Apollo Lake Series SoC
- Dual independent displays with HDMI and DP
- 5 x Gigabit LAN
- Mini-PCIe expansion with SIM for communication module
- M.2 and 1 x 2.5" SATA storage device
- M.2 2230 E Key for WiFi communication module
- Wide temperature operation:-20°C~60°C
- Fanless slim system, Wall mounting design

Specifications

		E320 Series
Processor System	CPU	Intel Apollo Lake N3350/N4200/J3355/J3455/J4205 series SoC
	Lithography	14nm
	L2 Cache	2 MB
	BIOS	AMI 8Mb UEFIBIOS
Memory	Technology	DDR3L 1600MHz
	Capacity	2GB (up to 8GB)
	Memory Chip	Memory chips Onboard
Display	Chipset	Intel®HD Graphics 500/505
	Graphics Engine	4K Codec Decode & Encode for H.264, MPEG2, MVC, VC-1, WMV9, H.265 / HEVC, VP9
	DP	Max.4096x 2160@ 60Hz
	HDMI	Max.3840 x 2160 @ 30Hz
	Dual Display	Yes, HDMI + DP
Audio	Controller	Realtek ALC662, High Definition Audio. Line-out , Mic-in
Ethernet	LAN1~LAN4	Intel i211AT GbE
	LAN5	RTL8111H GbE, support Wake On Lan
I/O Interface	USB 3.0	2 x USB3.0
	USB 2.0	2 x USB2.0
Expansion	Mini-PCIe	1 x Full Size for WLAN or WWAN module
	SIM	1 x USIM for 3G/4G LTE communication
	M.2 E Key	1 x M.2 2230 E Key for WiFi module
Storage	eMMC	8GB up to 256GB
	M.2	1 x 2242 SSD
	TF-Card	1 x TF
	SATA3.0	1 x SATA3.0 for 2.5 inch hard disk
Power Supply	DC Input	12V 2.1A AC/DC adapter
OS	Linux	Support
	Microsoft Windows	Windows 10 64Bit
Physical Characteristics	Construction	Aluminium Alloy
	Mounting	Wall Mounting
	Dimensions	120 x 100 x 51mm (LxWxH)
	Weight	0.65 Kg
Environment	Operating Temperature	-20°C~60°C, airflow 0.7m/ s
	Storage Temperature	-40°C~80°C
	Relative Humidity	95% @ 40°C (Non-Condensing)
	Vibration During Operation	With SSD : 3Grms, IEC 60068-2-64, random vibration, 5~500Hz, 1hr/axis
	Shock During Operation	With SSD : 30 G, IEC 60068-2-27, half sine, 11m duration
	ESD	Contact +/-4 KV, Air +/-8 KV
EMC	CE/FCC Class B	

Dimensions

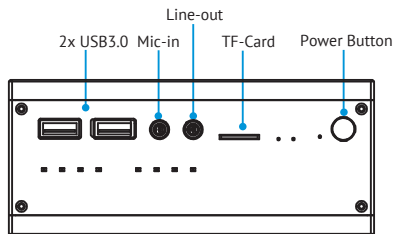
Unit: mm



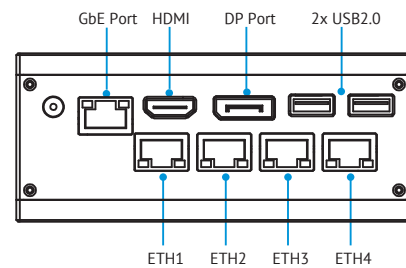
E320 Series

Wall Mounting Size

Front Panel External I/O Mechanical Layout/Drawing



Rear Panel External I/O Mechanical Layout/Drawing



Ordering Information

PN	CPU	Memory	GbE	USB2 .0	USB3 .0	Audio	Expansion	M.2 WiFi	eMMC	SATA3 .0	TF	M.2 SSD	DC Input
E320-2260	Intel Celeron J3455 2.3 GHz SoC	4GB	5	2	2	Line - out Mic-in	1xFull Size Mini-PCIe	Support	-	Support	1	128G	12V
E320-5260	Intel Pentium J4205 2.6 GHz SoC	4GB	5	2	2	Line - out Mic-in	1xFull Size Mini-PCIe	Support	-	Support	1	128G	12V

Packing List

P/N	Description
	1 x E320 Unit
	1 x AC-DC Adapter, DC12V/2A 24W

Optional Item for Default SKU

P/N	Description
	Wall mounting kits